

# VAC 3/4 C MT

## CLUB Tap Range Club Bath Taps with Metal Heads Chrome



### Features:

- Metal back nuts for added durability
- Metal handles

### Specify As:

Bristan "VAC 3/4 C MT" Club Bath Taps with metal heads, 3/4" BSP threaded inlet tails and compression valves. Product is WRAS Approved with a 5 year warranty. Manufacturer: Bristan Group Limited. Contact

Details: [contractenquiry@bristan.com](mailto:contractenquiry@bristan.com)

### Product Certifications:



WRAS Cert. Number: 2001914  
WRAS Expiry Date: 31/01/2025



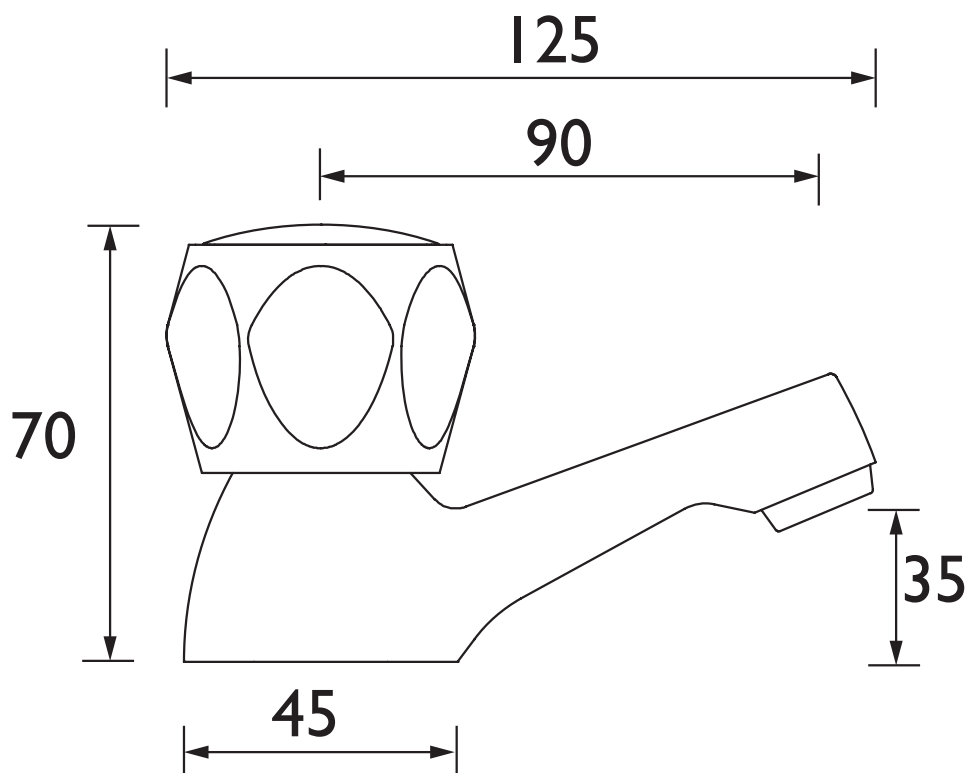
For more products, visit our website:  
<http://www.bristan.com>



### Specification

|  |                                   |
|--|-----------------------------------|
| <b>Product Type:</b>                     | Bathroom Taps                     |
| <b>Main Construction Material:</b>       | Brass                             |
| <b>Mount Type:</b>                       | Deck Mounted                      |
| <b>Handle Type:</b>                      | Handwheel Handles                 |
| <b>Connection Inlet:</b>                 | 3/4" BSP                          |
| <b>Connection Outlet:</b>                | M16 Aerator                       |
| <b>Number of Tap Holes:</b>              | 2                                 |
| <b>Valve/Cartridge Type:</b>             | 1/2" Compression Valve            |
| <b>Plumbing System Requirements:</b>     | Suitable for all plumbing systems |
| <b>Minimum Dynamic Pressure:</b>         | 0.2 Bar                           |
| <b>Maximum Dynamic Pressure:</b>         | 5.0 Bar                           |
| <b>Maximum Hot Water Temperature: °C</b> | 65                                |
| <b>Maximum Static Pressure: (bar)</b>    | 10                                |
| <b>Flow Type:</b>                        | Single Flow                       |
| <b>Isolation Included:</b>               | No                                |

### Dimensions (measurements in mm)



### Flow Rates (l/min)

| System Pressure (bar) | 0.2 | 0.5  | 1    | 2    | 3    | 5  |
|-----------------------|-----|------|------|------|------|----|
| VAC 3/4 C MT          | 14  | 22.1 | 31.3 | 44.3 | 54.2 | 70 |

## TECHNICAL DATA SHEET



# BRISTAN

D6