

G950 Extended Weep Vent

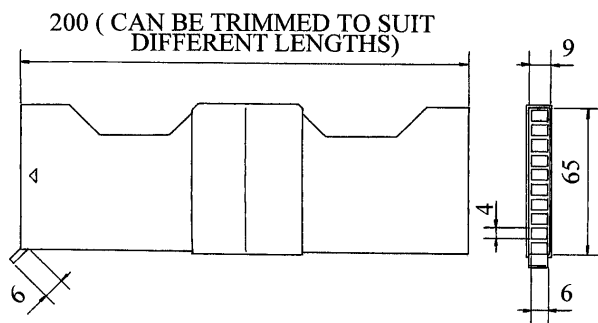
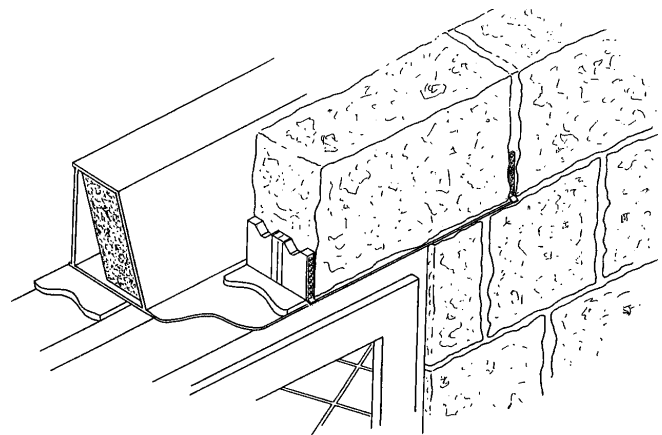
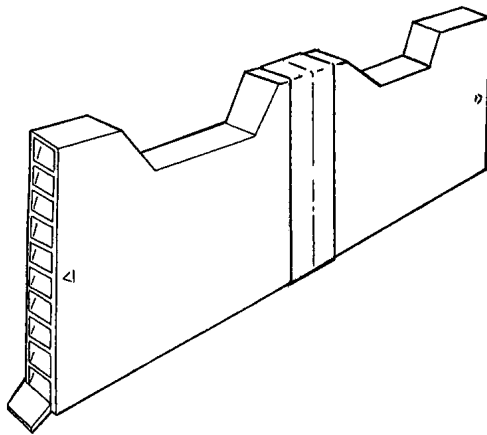
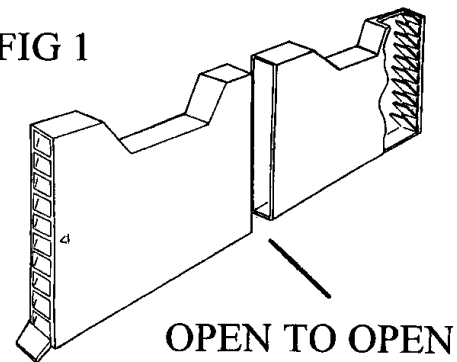


FIG 1



Description:

The G950 Weep Vent can be extended for use in wider than 100mm mortar beds by simply placing two G950 Weep Vents in line back to back. It can be used to drain lintels, cavity trays and to ventilate cavity walls.

The vent has a baffled grille to help reduce the ingress of driving rain and wind while incorporating an insect grille and drip lip. The grille is specifically sized to prohibit large insects gaining access but wide enough not to be blocked by debris, paint or water droplets (see BS5250 section 6).

Fitting Instructions:

The G950 Weep Vent can be extended by placing two weep vents (open end to open end) together and sealing the joint with sealing tape, after first removing the drip lip from one weep vent (figure 1).

It is then simply fitted at open perp joints and mortared in position. Note the G950's can be cut down from the open ends if required to suit different bed sizes.

The G950 Weep Vent should be spaced at no greater than 900mm centres but to meet N.H.B.C guidelines "weep holes are recommended to be sited at every 450mm maximum with at least two per opening above all windows and doors".

For more detailed information on the G950 Weep Vent see product information sheet MBP 8056.

References:

BRE:	DIGEST 262
BRE:	Floors, Flooring
BSI:	BS5250
BSI:	BS5628
BSI:	BS8000
NHBC:	Good Practice guide
NHBC:	Standards 6.1

MANTHORPE BUILDING PRODUCTS LTD
MANTHORPE HOUSE
BRITAIN DRIVE
CODNOR GATE BUSINESS PARK
RIPLEY
DERBYSHIRE DE5 3ND

TEL: 01773 303 000
FAX: 01773 303 300
EMAIL: mbp.care@manthorpebp.co.uk
WEB: www.manthorpebp.co.uk

DRN M.L.W.O Date 24.06.19

The company maintains a policy of continuous development of its product range and reserves the right to amend the specification without notice.

DRG No

MBP 8142

Issue

B