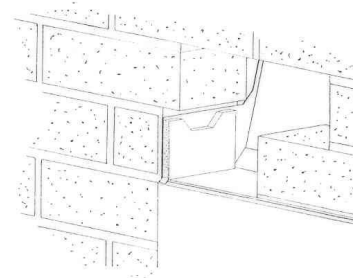
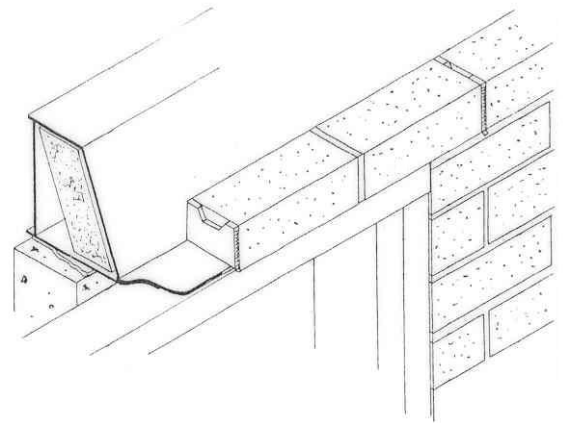
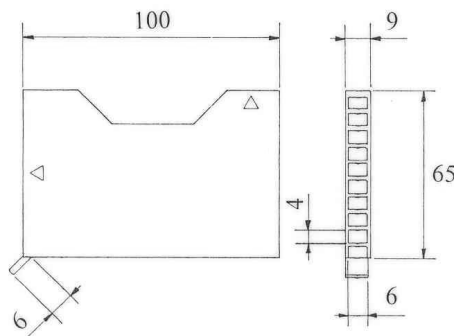
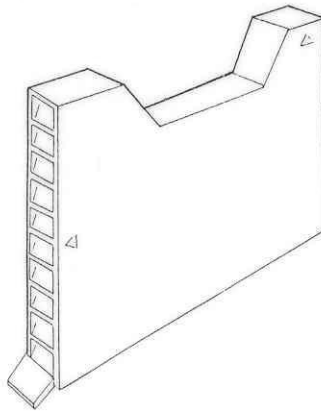


## Weep Vent

CODE **G950**



### Description:

The G950 Weep Vent is generally used to drain lintels, cavity trays and to ventilate cavity walls.

The vent has a baffled grill to help reduce the ingress of driving rain and wind while incorporating an insect grill and drip lip.

The grill is specifically sized to prohibit large insects gaining access but wide enough not to be blocked by debris, paint or water droplets (see BS5250 section 6)

### Fitting Instructions:

The G950 Weep Vent should be simply fitted in open perp joints and mortared in position. When used with Manthorpe's range of catchment trays the Weep Vent should be placed in the furthest corner away from the finished roof line as shown.

The G950 Weep Vent should be spaced at no greater than 900mm centres but to meet N.H.B.C guidelines " weep holes are recommended to be sited at every 450mm maximum with at least two per opening above all windows and doors "

COLOURS	Terracotta, Buff, Black, Blue/Black, Brown, Clear, Grey, White
PACKING DETAILS	50 per cardboard box
WEIGHT	1.7kg per box
MATERIAL	Polypropylene
MANUFACTURING PROCESS	Injection Moulded
FREE AIRFLOW	220mm <sup>2</sup> M

### References:

BRE:	DIGEST 262
BRE:	Floors, Flooring
BSI:	BS5250
BSI:	BS5628
BSI:	BS8000
NHBC:	Good Practice guide
NHBC:	Standards 6.1

MANTHORPE BUILDING PRODUCTS LTD  
 MANTHORPE HOUSE  
 BRITAIN DRIVE  
 CODNOR GATE BUSINESS PARK  
 RIPLEY  
 DERBYSHIRE DE5 3ND

TEL: 01773 303 000  
 FAX: 01773 303 300  
 EMAIL: [mbp.care@manthorpebp.co.uk](mailto:mbp.care@manthorpebp.co.uk)  
 WEB: [www.manthorpebp.co.uk](http://www.manthorpebp.co.uk)

DRN M.L.W.O Date 09.08.19

The company maintains a policy of continuous development of its product range and reserves the right to amend the specification without notice.

DRG No

**MBP 8056**

Issue

**B**