

# VAL DSM C CD

## VALUE Tap Range Lever Deck Sink Mixer Chrome With Ceramic Disc Valves



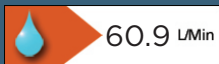
### Features:

- Long life and easy to use 1/4 turn ceramic disc valves
- Supplied with 3" (76mm) metal lever handles

### Product Certifications:



WRAS Cert. Number: 1907901  
WRAS Expiry Date: 31/07/2024



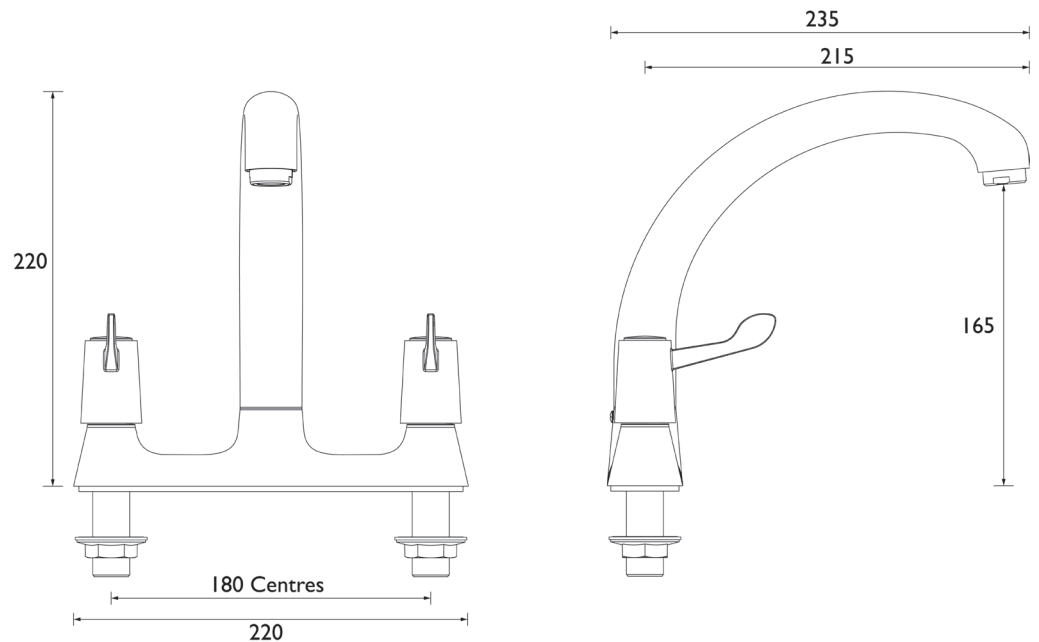
For more products, visit our website:  
<http://www.bristan.com>



### Specification

<b>Product Type:</b>	Contemporary
<b>Main Construction Material:</b>	Brass
<b>Mount Type:</b>	Deck Mounted
<b>Handle Type:</b>	Lever Handles
<b>Connection Inlet:</b>	½" BSP
<b>Connection Outlet:</b>	N/A
<b>Number of Tap Holes:</b>	2
<b>Valve/Cartridge Type:</b>	Quarter Turn ½" Ceramic Disc Valve
<b>Plumbing System Requirements:</b>	All - Ideally Balanced
<b>Working Pressure Range:</b>	Min. 0.2 Bar - Max. 8.0 Bar
<b>Maximum Hot Water Temperature: °C</b>	65
<b>Maximum Static Pressure: (bar)</b>	10
<b>Flow Type:</b>	Single Flow

### Dimensions (measurements in mm)



### Flow Rates (l/min)

System Pressure (bar)	0.2	0.5	1	2	3	5
VAL DSM C CD	13.5	20.67	34.2	49.1	60.9	78.7

TECHNICAL  
DATA  
SHEET



**BRISTAN**

D10