

VAC SNK C MT

CLUB Tap Range Club Monobloc Sink Mixer Chrome With Metal Heads



Features:

- Metal fixing nut for added durability
- Supplied with metal handles

Specify As:

Bristan "VAC SNK C MT" Club Monobloc Sink Mixer with metal heads, 15mm flexible inlet tails and compression valves. Product is WRAS Approved with a 5 year warranty. Manufacturer: Bristan Group Limited. Contact Details: contractenquiry@bristan.com

Product Certifications:



WRAS Cert. Number: 2001913
WRAS Expiry Date: 31/01/2025



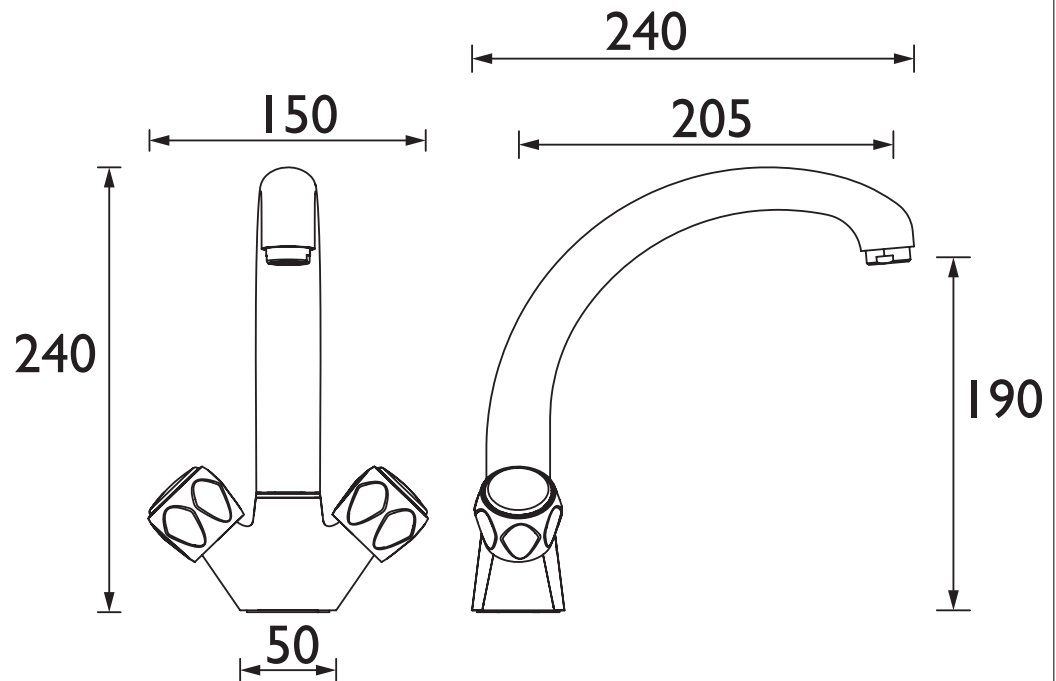
For more products, visit our website:
<http://www.bristan.com>



Specification

Product Type:	Kitchen Tap
Main Construction Material:	Brass
Mount Type:	Deck Mounted
Handle Type:	Round Handles
Connection Inlet:	15mm Flexible Tails
Connection Outlet:	M24 Flow Straightener
Number of Tap Holes:	1
Valve/Cartridge Type:	½" Standard Valve
Plumbing System Requirements:	Suitable for all plumbing systems
Minimum Dynamic Pressure:	0.2 Bar
Maximum Dynamic Pressure:	5.0 Bar
Maximum Hot Water Temperature: °C	65
Maximum Static Pressure: (bar)	10
Flow Type:	Single Flow
Check Valve Supplied:	No

Dimensions (measurements in mm)



Flow Rates (l/min)

System Pressure (bar)	0.2	0.5	1	2	3	5
VAC SNK C MT	8.2	13.1	19.1	26.3	32.2	41.6

TECHNICAL DATA SHEET



BRISTAN

D11