

TRADE

INSTINCT®

INST-13040P Aline Single Outlet Thermostatic Shower Valve and Kit

Introduction

The Aline Thermostatic Bar Shower. Featuring anti scald technology and a cool touch body maintaining a cool surface temperature of the shower body during operation. The Aline is supplied with easy install fast fix brackets, a riser rail with adjustable brackets and large single function handset.



- Thermostatic Control
- Cool-Touch Valve
- Anti-Scald Technology
- Fast Fix Brackets
- Large single function handset
- Riser Rail with adjustable brackets
- Chrome Finish

DESCRIPTION	Code
Aline Round Single Outlet Bar Shower and Kit complete with fixing brackets	INST-13040P



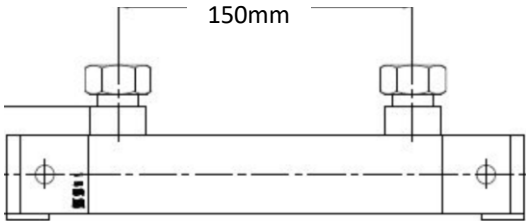
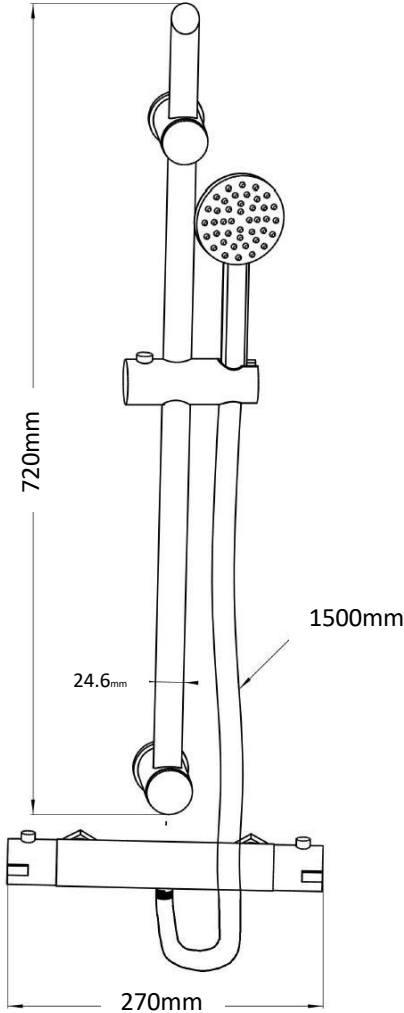
Includes fast fix brackets



INST-13040P Aline Single Outlet Thermostatic Shower Valve and Kit

- Technical Specification

Max Inlet Pressure (static)	5 Bar
Min Inlet Pressure (dynamic)	0.5 Bar
Max inlet Temperature	85°C
Factory Pre-set Temperature	38°C with max temp stop
Inlet Connections (Fast Fix)	15mm compression
Outlet Connections	G ½" BSP
Min Temperature differential to achieve hot or cold failsafe	15°C
System Installation	Unvented, Pumped, Pressurised and Combination Boilers



Flow Rate Graph

